



**UNILED SL AC Zugpendel** (adjustable pull pendants)  
**Height adjustable, flexible, bright**

UNILED SL AC Zugpendel with adjustable pull pendants is a powerful ceiling light mounted on two height-adjustable rise and fall attachments with spiral cables for flexible workplace lighting. Handling is very easy: Once installed and connected to the ceiling, the LED light is pulled down or pushed up using the rise and fall attachment. Especially at smaller manual workstations or in the laboratory, it is popular to be able to adjust the illuminance as required by adjusting the height of the light.

**The Technology**

- Powerful LED technology with shatterproof micropism cover and 230V AC connection from the ceiling transfer point
- Ceiling suspension via height-adjustable pull pendants

**Your benefits**

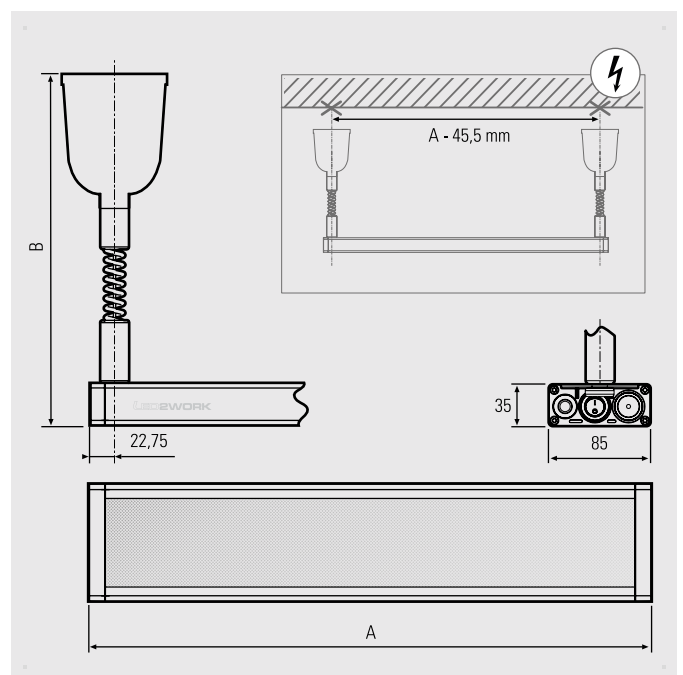
- Productive atmosphere thanks to daylight white
- Variable illuminance through height adjustment
- Homogeneous, low-shadow, glare-free illumination
- Very good colour rendering and contrast values

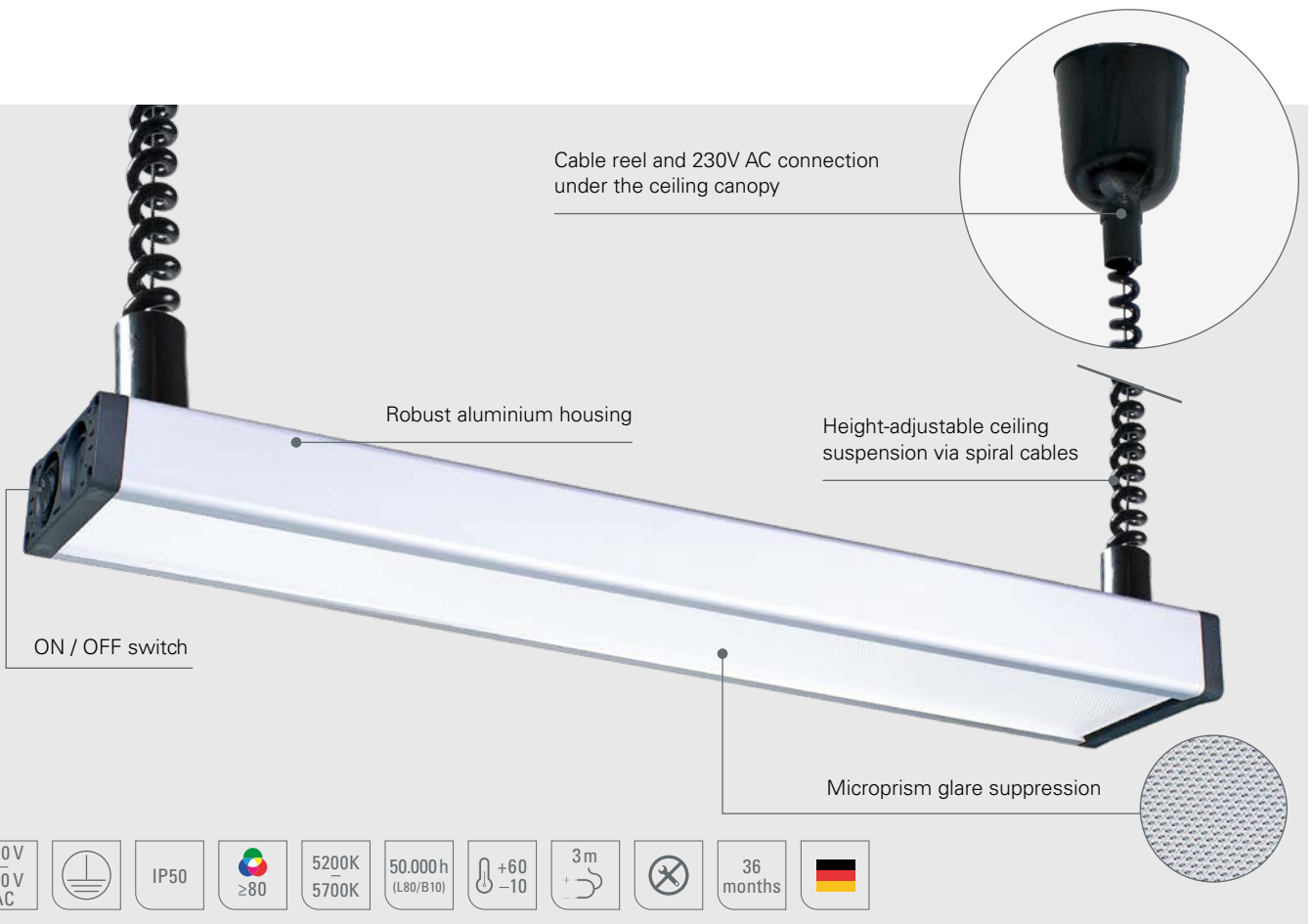
**Areas of application <sup>(1)</sup>**

- Assembly and manual workstations in the trade as well as the dental and jewellery industry
- Work and test stations in laboratories

**Design**

- 3 luminaire lengths: 570 mm, 1,070 mm, 1,570 mm
- Two extension ranges for the pull pendants: from 74 cm to 190 cm and from 34 cm to 130 cm





The intensity of the light in the work area can be varied easily by pulling and pushing the UNILED SL AC light via the pull pendants down or up. In addition to three lengths of the luminaire housing, you can also choose between two different rise and fall lengths of the adjustable pull pendants when choosing the LED light.

| UNILED SL AC, adjustable pull pendants, 5200–5700K           | Product no. | A       | B               | Optics | E <sub>max</sub> * | Lamp luminous flux | Output | Connection  |
|--|-------------|---------|-----------------|--------|--------------------|--------------------|--------|-------------|
| UNILED SL AC, adjustable pull pendants, microprismatic cover | 110914-82   | 570 mm  | ~740... 1900 mm | 100°   | 649 lx             | 2060 lm            | ~17 W  | 220-240V AC |
| UNILED SL AC, adjustable pull pendants, microprismatic cover | 110914-83   | 1070 mm | ~740... 1900 mm | 100°   | 1224 lx            | 5120 lm            | ~34 W  | 220-240V AC |
| UNILED SL AC, adjustable pull pendants, microprismatic cover | 110914-84   | 1570 mm | ~740... 1900 mm | 100°   | 1567 lx            | 6180 lm            | ~51 W  | 220-240V AC |

| UNILED SL AC, adjustable pull pendants, 5200–5700K           | Product no. | A       | B               | Optics | E <sub>max</sub> * | Lamp luminous flux | Output | Connection  |
|--|-------------|---------|-----------------|--------|--------------------|--------------------|--------|-------------|
| UNILED SL AC, adjustable pull pendants, microprismatic cover | 110914-85   | 570 mm  | ~340... 1300 mm | 100°   | 649 lx             | 2060 lm            | ~17 W  | 220-240V AC |
| UNILED SL AC, adjustable pull pendants, microprismatic cover | 110914-86   | 1070 mm | ~340... 1300 mm | 100°   | 1224 lx            | 5120 lm            | ~34 W  | 220-240V AC |
| UNILED SL AC, adjustable pull pendants, microprismatic cover | 110914-87   | 1570 mm | ~340... 1300 mm | 100°   | 1567 lx            | 6180 lm            | ~51 W  | 220-240V AC |

maximum lighting intensities, measurement area 100 cm x 100 cm at 100 cm distance