



**NEW: AC variant with WIDE RANGE voltage connection**

**PROFILED**  
Universal, standardized and yet flexible

The PROFILED was developed as a universal lamp or work lamp. As a strong light source, it illuminates individual workplaces as well as assembly areas homogeneously. In addition, the PROFILED can be used to illuminate technical equipment or packaging stations or as a workbench light. The profiled luminaire body enables the LED light to be attached horizontally or vertically to a T-slot profile.

**The Technology**

- 24V DC or 90-305V AC LED technology for bright and daylight-white illumination of work areas
- Microprismatic cover for higher light diffusion and robust profile housing made of aluminium with a rear T-slot

**Your benefits**

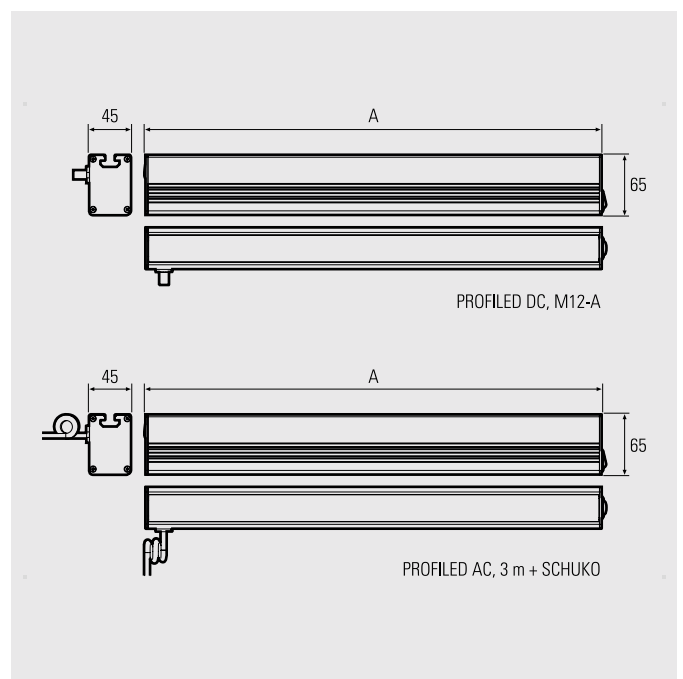
- Strong light in daylight white 5,200–5,700 K
- Homogeneous, low-shadow, glare-free illumination

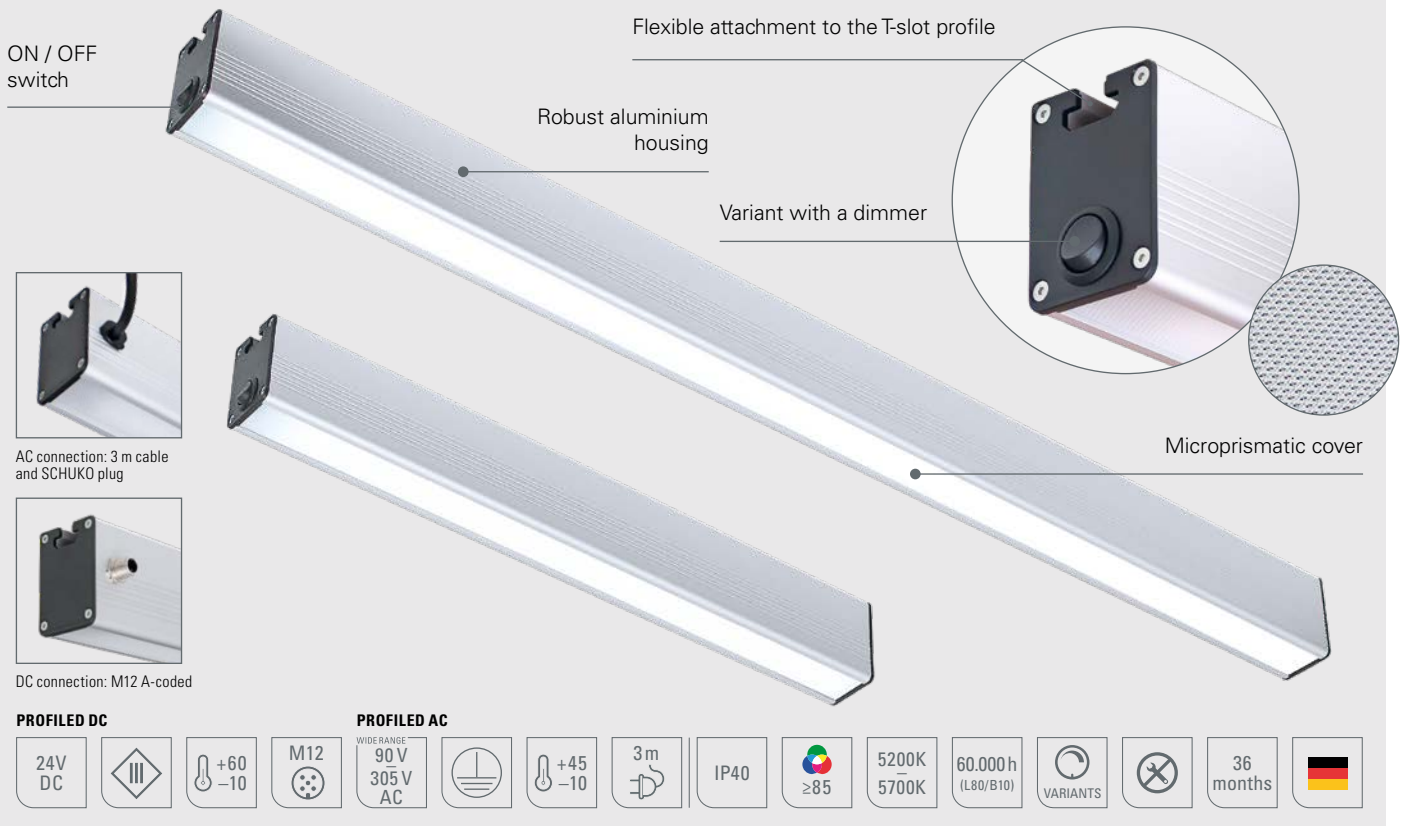
**Areas of application**

- System and assembly workplaces or workstations
- Packing stations and storage areas
- Technical equipment, test stations and workbenches

**Design**

- 24V DC with M12 plug connector or AC direct connection via 3 m cable and SCHUKO plug
- 4 lengths: 500 mm, 900 mm, 1,000 mm, 1,200 mm
- Variants with dimming using buttons in the housing





PROFILED DC, 5200–5700K, 24V DC	Product no.	Length (A)	Optics	E <sub>max</sub> *	Lamp luminous flux	Output	Connection
PROFILED DC, microprism covers	150314-01	500 mm	100°	575 lx	1575 lm	~11 W	24V DC
PROFILED DC, microprism covers	150614-01	900 mm	100°	980 lx	3150 lm	~21 W	24V DC
PROFILED DC, microprism covers	150714-01	1000 mm	100°	1041 lx	3465 lm	~23 W	24V DC
PROFILED DC, microprism covers	150814-01	1200 mm	100°	1272 lx	4410 lm	~30 W	24V DC
PROFILED DC, microprism covers, dimmable	150314-02	500 mm	100°	575 lx	1575 lm	~11 W	24V DC
PROFILED DC, microprism covers, dimmable	150614-02	900 mm	100°	980 lx	3150 lm	~21 W	24V DC
PROFILED DC, microprism covers, dimmable	150714-02	1000 mm	100°	1041 lx	3465 lm	~23 W	24V DC
PROFILED DC, microprism covers, dimmable	150814-02	1200 mm	100°	1272 lx	4410 lm	~30 W	24V DC

Power supplies, dimming box and connection materials, see accessories.

\* maximum lighting intensities, measurement area 100 cm x 100 cm at 100 cm distance

PROFILED AC, 5200–5700K, 220–240V AC	Product no.	Length (A)	Optics	E <sub>max</sub> *	Lamp luminous flux	Output	Connection
PROFILED AC, microprism covers	150314-03	500 mm	100°	575 lx	1575 lm	~14 W	90-305V AC
PROFILED AC, microprism covers, dimmable	150614-03	900 mm	100°	980 lx	3150 lm	~24 W	90-305V AC
PROFILED AC, microprism covers, dimmable	150714-03	1000 mm	100°	1041 lx	3465 lm	~27 W	90-305V AC
PROFILED AC, microprism covers, dimmable	150814-03	1200 mm	100°	1272 lx	4410 lm	~34 W	90-305V AC
PROFILED AC, microprism covers, dimmable	150314-04	500 mm	100°	575 lx	1575 lm	~14 W	90-305V AC
PROFILED AC, microprism covers, dimmable	150614-04	900 mm	100°	980 lx	3150 lm	~24 W	90-305V AC
PROFILED AC, microprism covers, dimmable	150714-04	1000 mm	100°	1041 lx	3465 lm	~27 W	90-305V AC
PROFILED AC, microprism covers, dimmable	150814-04	1200 mm	100°	1272 lx	4410 lm	~34 W	90-305V AC

\* maximum lighting intensities, measurement area 100 cm x 100 cm at 100 cm distance

Accessories	Product no.
Mounting kit, flat, with ESD insulation	240400-01
Mounting kit, pivotable, with ESD insulation	240400-02
Mounting kit, flat	240400-04

Accessories	Product no.
Mounting kit, 1 pair of slot nuts with cylinder head screws	240400-03
Mounting accessories, cable suspension for lights with T-slot profile	213300-02

For illustrations of accessories, see SYSTEMLED