



The UNILED II table lamp with an articulated arm is the logical further development of its predecessor. A high-quality aluminium spring arm, 2 different light colours and power levels as well as flicker-free illumination and infinitely variable dimming are the quality features of this light. With up to 3200 lx at a distance of 500 mm, it provides the right light for every workplace and every visual task.

The Technology

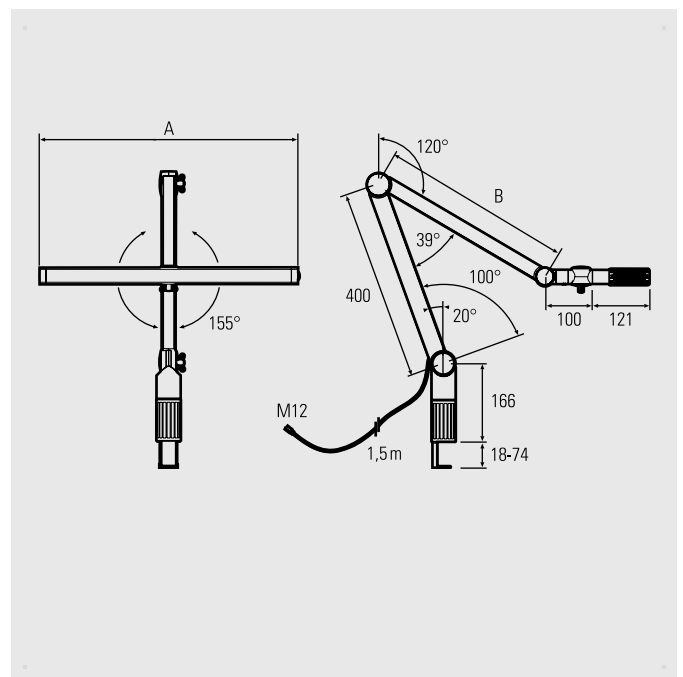
- Aluminium spring arm, 3D head joint
- Head and articulated arm can be pivoted and locked in any position
- Aluminium head with rear heat dissipation

Your benefits

- Excellent ergonomic handling
- Homogeneous shadow-free and glare-free illumination
- Variants with infinitely variable dimming and memory function in a light

Areas of application

- For assembly and inspection workstations, manual workplaces in the goldsmith, dental laboratory and watchmaking sectors



Articulated arm | UNILED II



variants

24V DC, IP40, ≥ 85 , 5200K-5700K, 4000K-4500K, 60.000h (L80/B10), M12, 3m, +60/-10, VARIANTS, 36 months, Germany, PSU 110V-240V AC

UNILED II, articulated arm, 5200-5700K	Product no.	Width head (A)	Arm (B)	Optics	E_{max}^*	Lamp luminous flux	Output	Connection
UNILED II	120610-01	298 mm	400 mm	100°	1905 lx	1617 lm	~14 W	24V DC**
UNILED II, dimmable	120610-02	298 mm	400 mm	100°	1905 lx	1617 lm	~14 W	24V DC**
UNILED II	120710-01	548 mm	400 mm	100°	3360 lx	3217 lm	~27 W	24V DC**
UNILED II, dimmable	120710-02	548 mm	400 mm	100°	3360 lx	3217 lm	~27 W	24V DC**
UNILED II, articulated arm, 5200-5700K	Product no.	Width head (A)	Arm (B)	Optics	E_{max}^*	Lamp luminous flux	Output	Connection
UNILED II Watchmaker	120910-01	380 mm	250 mm	100°	2563 lx	2139 lm	~19 W	24V DC**
UNILED II Watchmaker, dimmable	120910-02	380 mm	250 mm	100°	2563 lx	2139 lm	~19 W	24V DC**
UNILED II, articulated arm, 4000-4500K	Product no.	Width head (A)	Arm (B)	Optics	E_{max}^*	Lamp luminous flux	Output	Connection
UNILED II	120720-01	548 mm	400 mm	100°	2720 lx	3217 lm	~26 W	24V DC**
UNILED II, dimmable	120720-02	548 mm	400 mm	100°	2720 lx	3217 lm	~26 W	24V DC**

** including power supply 110-240V and table clamp

* maximum lighting intensities, measurement area 100 cm x 100 cm at 50 cm distance

Accessories	Product no.
Wall bracket for lights with an articulated arm	215100-01
Adapter for T-slot profile for lights with an articulated arm	215200-01
Screw-on base for lights with an articulated arm, plastic screws included	215400-01
Adapter for lights with an articulated arm, aluminium (for existing screw-on dimensions 60 x 60 mm on LED2WORK)	215400-02
Additional magnifier UNILED II, 3.39 dpt.	215500-01



Illustrations of accessories on UNILED II TUNABLE WHITE