



TUBELED_40 II Integrated

Elegant, strong, flat and robust

The TUBELED_40 II Integrated recessed light is designed for initial equipment and retrofitting of machines and equipment. The sizes of the outer panels are based on the dimensions of standardized installation shafts of machine tools. The sealed LED luminaire is built in to be resistant to cooling lubricant as well as chip-proof and oil-resistant. Its absolute advantage is the homogeneous and low-glare illumination of work spaces, for example in machine tools.

The Technology

- Aluminium body and a glare control with an opal white safety glass cover
- Heat dissipation to the rear – no cooling lubricant burn-in
- Seamless sealing on the installation surface by means of a seal sprayed onto the back
- Connection using an M12 connector

Your benefits

- Flat and space-saving installation
- Minimum interfering edges – no areas where chips could settle

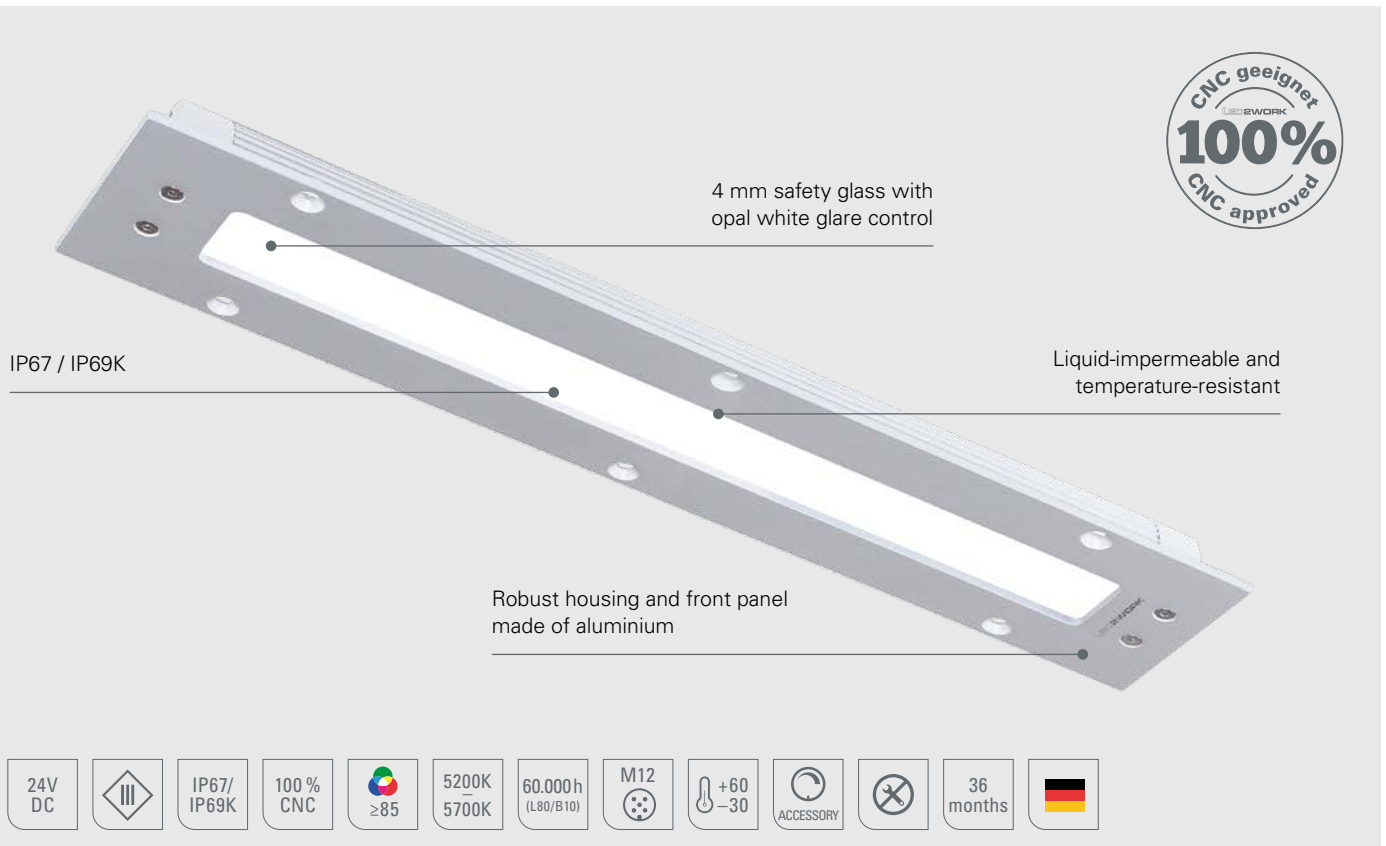
Areas of application

- Machines or work environments with little space
- Turning, drilling, milling and grinding machines
- Injection moulding machines, extruders and blow moulding machines

Designs

- 6 different lengths and 2 widths of the glare control
- External dimming possible

Recessed lights | TUBELED_40 II Integrated



TUBELED_40 II Integrated, 5200-5700K	Product no.	A	B	C	D	Optics	E _{max} *	Lamp luminous flux	Output	Connection
TUBELED_40 II Integrated Power	151010-01	220 mm	74 mm	158 mm	125 mm	100°	415 lx	1078 lm	-8 W	24V DC
TUBELED_40 II Integrated Power	151110-01	395 mm	74 mm	333 mm	250 mm	100°	815 lx	2139 lm	-16 W	24V DC
TUBELED_40 II Integrated Power	151210-01	570 mm	74 mm	508 mm	200 mm	100°	1184 lx	3217 lm	-24 W	24V DC
TUBELED_40 II Integrated Power	151310-01	745 mm	74 mm	508 mm	250 mm	100°	1184 lx	3217 lm	-24 W	24V DC
TUBELED_40 II Integrated Power	152010-01	340 mm	78 mm	248 mm	240 mm	100°	617 lx	1617 lm	-12 W	24V DC
TUBELED_40 II Integrated Power	152210-01	700 mm	78 mm	508 mm	305 mm	100°	1184 lx	3217 lm	-24 W	24V DC

Power supply, dimmboxes and connection materials, see Accessories.

* maximum lighting intensities, measurement area 100 cm x 100 cm at 100 cm distance

