

LEANLED II

Slender, very bright, cascadable

Due to its extremely compact design (25 x 30 mm), the LEANLED II can be used in almost any machine space without chip bombardment or coolant (IP54). A polycarbonate cover protects the LED chips from dust and splash water. The electrical interlinking enables very simple and quick installations that can illuminate large production areas homogeneously and uniformly.

The Technology

- Slender, barely protruding LED light, only 25 mm high
- Clear or opal white cover made of polycarbonate, shatter and splinter-free
- Heat is dissipated to the rear via aluminium base bodies

Your benefits

- Uniform, flicker-free illumination
- Very bright LED light
- Homogeneous illumination with opal white glare suppression
- Cascadable, i.e. electrically interlinkable versions – thus simple power supply of several lights with one supply cable.

Areas of application

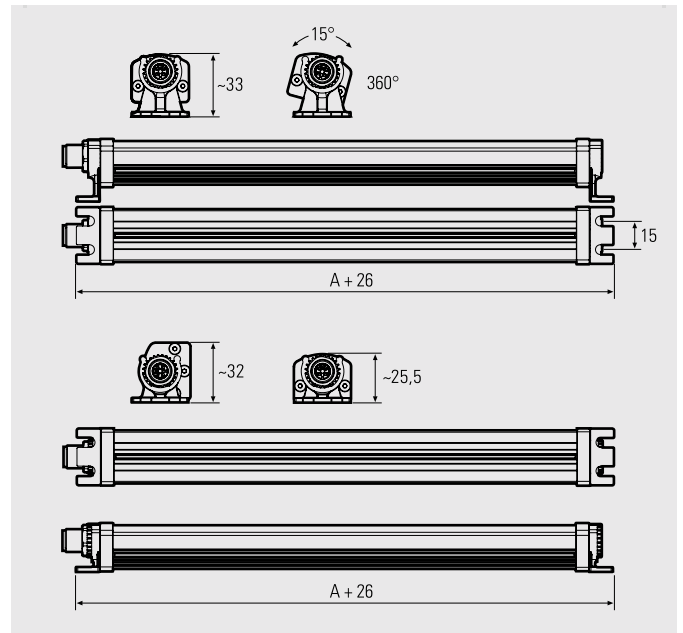
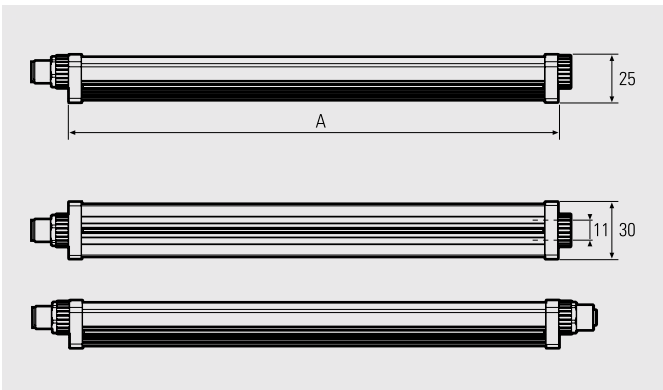
- For machines and plants with very little space
- Automatic machines, bending machines, punching machines, conveyor belts
- Woodworking
- Logistics and many other applications

Designs

- 7 lengths: 180 mm, 260 mm, 350 mm, 520 mm, 760 mm, 1020 mm, 1520 mm
- Available with clear cover or opal white glare suppression
- Single solution or electrically interlinkable



-
-
-
-
-
-
-
-
-
-
-
-
-



2 pairs of lamp holders are included

Surface mounted lights | LEANLED II

LEANLED II, 5200–5700K	Product no.	Length (A)	Optics	E _{max} *	Lamp luminous flux	Output	Connection
LEANLED II, clear cover	111010-01	180 mm	120°	232 lx	630 lm	~4 W	24V DC
LEANLED II, clear cover	111010-02	260 mm	120°	350 lx	945 lm	~6 W	24V DC
LEANLED II, clear cover	111010-03	350 mm	120°	461 lx	1260 lm	~8 W	24V DC
LEANLED II, clear cover	111010-04	520 mm	120°	680 lx	1890 lm	~13 W	24V DC
LEANLED II, clear cover	111010-05	760 mm	120°	953 lx	2835 lm	~19 W	24V DC
LEANLED II, clear cover	111010-06	1020 mm	120°	1219 lx	3780 lm	~24 W	24V DC
LEANLED II, clear cover	111010-07	1520 mm	120°	1588 lx	5670 lm	~37 W	24V DC
LEANLED II, opal white glare suppression	111010-11	180 mm	120°	160 lx	630 lm	~4 W	24V DC
LEANLED II, opal white glare suppression	111010-12	260 mm	120°	241 lx	945 lm	~6 W	24V DC
LEANLED II, opal white glare suppression	111010-13	350 mm	120°	318 lx	1260 lm	~8 W	24V DC
LEANLED II, opal white glare suppression	111010-14	520 mm	120°	471 lx	1890 lm	~13 W	24V DC
LEANLED II, opal white glare suppression	111010-15	760 mm	120°	658 lx	2835 lm	~19 W	24V DC
LEANLED II, opal white glare suppression	111010-16	1020 mm	120°	840 lx	3780 lm	~24 W	24V DC
LEANLED II, opal white glare suppression	111010-17	1520 mm	120°	1089 lx	5670 lm	~37 W	24V DC

LEANLED II, cascadable, 5200–5700K	Product no.	Length (A)	Optics	E _{max} *	Lamp luminous flux	Output	Connection
LEANLED II, clear cover, casacadable	111010-21	180 mm	120°	232 lx	630 lm	~4 W	24V DC
LEANLED II, clear cover, casacadable	111010-22	260 mm	120°	350 lx	945 lm	~6 W	24V DC
LEANLED II, clear cover, casacadable	111010-23	350 mm	120°	461 lx	1260 lm	~8 W	24V DC
LEANLED II, clear cover, casacadable	111010-24	520 mm	120°	680 lx	1890 lm	~13 W	24V DC
LEANLED II, clear cover, casacadable	111010-25	760 mm	120°	953 lx	2835 lm	~19 W	24V DC
LEANLED II, clear cover, casacadable	111010-26	1020 mm	120°	1219 lx	3780 lm	~24 W	24V DC
LEANLED II, clear cover, casacadable	111010-27	1520 mm	120°	1588 lx	5670 lm	~37 W	24V DC
LEANLED II, opal white glare suppression, cascadable	111010-31	180 mm	120°	160 lx	630 lm	~4 W	24V DC
LEANLED II, opal white glare suppression, cascadable	111010-32	260 mm	120°	241 lx	945 lm	~6 W	24V DC
LEANLED II, opal white glare suppression, cascadable	111010-33	350 mm	120°	318 lx	1260 lm	~8 W	24V DC
LEANLED II, opal white glare suppression, cascadable	111010-34	520 mm	120°	471 lx	1890 lm	~13 W	24V DC
LEANLED II, opal white glare suppression, cascadable	111010-35	760 mm	120°	658 lx	2835 lm	~19 W	24V DC
LEANLED II, opal white glare suppression, cascadable	111010-36	1020 mm	120°	840 lx	3780 lm	~24 W	24V DC
LEANLED II, opal white glare suppression, cascadable	111010-37	1520 mm	120°	1089 lx	5670 lm	~37 W	24V DC

With feed-through wiring (cascadable), several lights can be interlinked electrically. The entire power consumption may not exceed 4A DC at t_a max. +40 °C.

Delivery incl. 2 pairs of lamp holders for assembly | Power supply units and connection materials, see Accessories.

* maximum lighting intensities, measurement area 100 cm x 100 cm at a distance of 100 cm

Accessories	Product no.
Spring clamps, galvanised steel, 1 pair	210200-07
Spring clamps with magnet, 1 pair	210200-08





LED lights for workplaces, machines and industry

ALL PRODUCTS NOW ALSO AVAILABLE IN OUR ONLINE SHOP!

The official B2B online shop

shop.led2work.com



Search

My account Wish list



Quick choice | Fair prices | Directly from the manufacturer