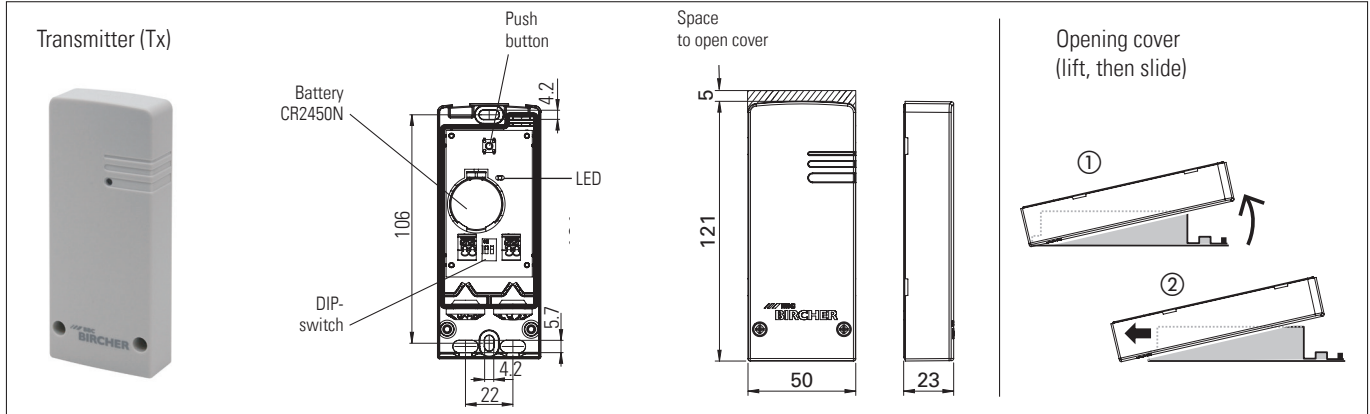


XRF-T.2

Transmitter to XRF wireless transmission system

Original operating instructions

Intended use: Monitoring 1 or 2 safety edges and switches on doors and gates, in combination with a receiver XRF

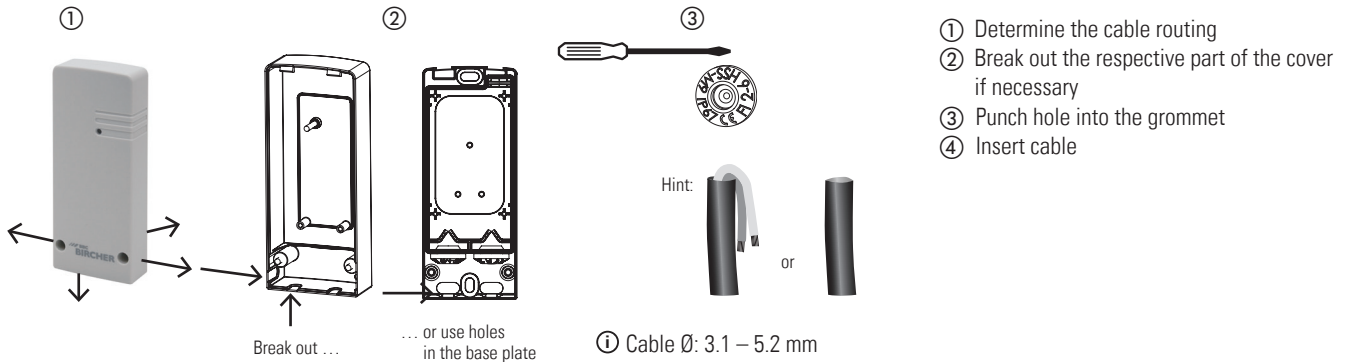


Safety instructions



- Read these operating instructions thoroughly before putting the device into operation and keep them for future reference.
- Do not use this product other than for its specified application.
- Only trained and qualified personnel may install and initialize the device.
- Only authorized factory personnel may perform hardware/software changes or repairs to the product.
- Failure to follow these safety precautions may cause damage to sensor or objects, serious personal injury, or death.
- It is the responsibility of the equipment manufacturer to carry out a risk assessment and to install the system, in compliance with applicable local, national and international regulations, safety standards, codes and laws as well as the Machinery Directive 2006/42/EC, should this apply.
- Always consider the safety functions of your applications as a whole, never just in relation to one individual section of the system.
- The installer is responsible for testing the system to ensure it meets all applicable safety standards.
- Safety devices that are classified as Category 2 according to EN ISO 13849-1 must be tested regularly – at least once per cycle.
- If the safety device is not requested operationally at least once a year, it must be checked manually by the operator at least once a year.
- Pay attention to all local relevant electrical safety regulations.
- Protect the device with a housing against contamination or harsh environments.
- This device contains batteries.
- Observe the local regulations for battery disposal.
- After accessing the inside of the device, ensure the cover/protection seal is closed tightly to achieve designated protection rating.

1 Installation (Cable routing, strain relief)

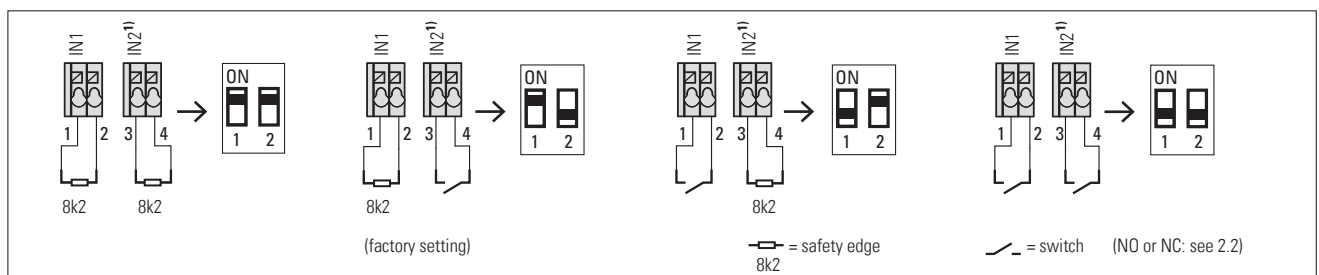


2 Wiring / set-up

2.1 DIP switch setting

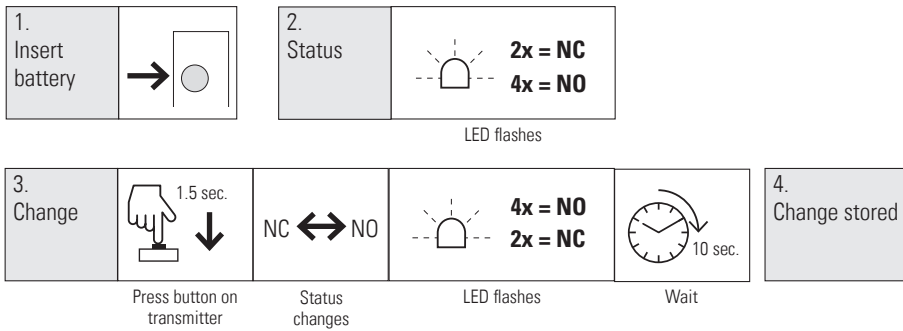
DIP switch setting according to sensors (safety edge, switch)
a change of the DIP switch will be confirmed by a (slightly delayed) flash of the LED

ⓘ Wire cross section 0.25 – 0.75 mm²



¹⁾ IN2 is only active when used with dual channel receiver (see receiver manual)

2.2 How to change inputs from NC to NO (factory setting = NC) / not for 8k2 applications



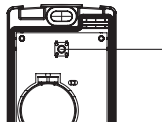
Note:

When using the NC inputs the wiring with the sensor must be permanently installed and protected against external damage according to EN ISO 13849-2 Tab. D.4.

3 Pairing

Pairing is possible with open cover or later in mounted situation.

3.1.a Pairing at open state



After initiating pairing on Rx (see receiver manual), press button

3.1.b Pairing in mounted state



After initiating pairing on Rx (see receiver manual), press the edge two times within 2 sec.

3.2 System check (mandatory after each set-up)

The LED flashes when activating the sensor element (pressing the sensing edge) and flashes again when releasing the sensor element. Does the door/gate stop when the sensing element is activated?

4 Trouble shooting

4.1 Warning indicator for low battery voltage



Every minute

To find out which transmitter has low battery voltage: Press each edge.



Battery good



Battery bad

4.2 Battery change

- ① Loosen the two screws
- ② Open housing (lift, then slide)
- ③ Remove battery
- ④ Insert new battery (check polarity)
- ⑤ Put on the cover (slide, then push down)
- ⑥ Attach the screws
- ⑦ **System test mandatory!**
- ⑧ Dispose used battery according to local regulations

5 Technical data

Transmitter	
Inputs	up to two 8.2 kOhm sensors up to two NC/NO switches
Battery power	1x Lithium 3 V Type (CR2450N)
Battery life	up to 1.2 years *
Protection class IEC 60529	IP65

* Recommendation: Change battery every year.

System	
Operating frequency	868.3 MHz
Range	100 m (at optimal condition)
Operating temperature	-20 °C to +60 °C

6 EU Declaration of Conformity



See attachment

7 WEEE



Devices with this symbol must be treated separately during disposal. This must be done in accordance with the laws of the respective countries for environmentally sound disposal, processing and recycling of electrical and electronic equipment.

8 Contact

BBC Bircher Smart Access, BBC Bircher AG, Wiesengasse 20, CH-8222 Beringen, www.bircher.com

Designed in Switzerland / Made in China