



Developed for system workstations, the SYSTEMLED enables absolutely fast and simple replacement of fluorescent tube lights with LED lights. This is why the SYSTEMLED has the same dimensions and connections as the leading conventional lights. The electrical interlinkability of the SYSTEMLED makes it possible to create large, particularly efficient lighting surfaces.

The Technology

- Opal white, shatter-proof and splinter-proof luminaire cover, optionally also available with a prism cover (greater light scattering)
- Heat is dissipated to the rear via aluminium base bodies
- T-slot mounting slots for stable locking on walls, ceilings, machines or system workstations
- Flicker-free light without UV and IR components
- Infinitely variable dimming via optional accessories

Your benefits

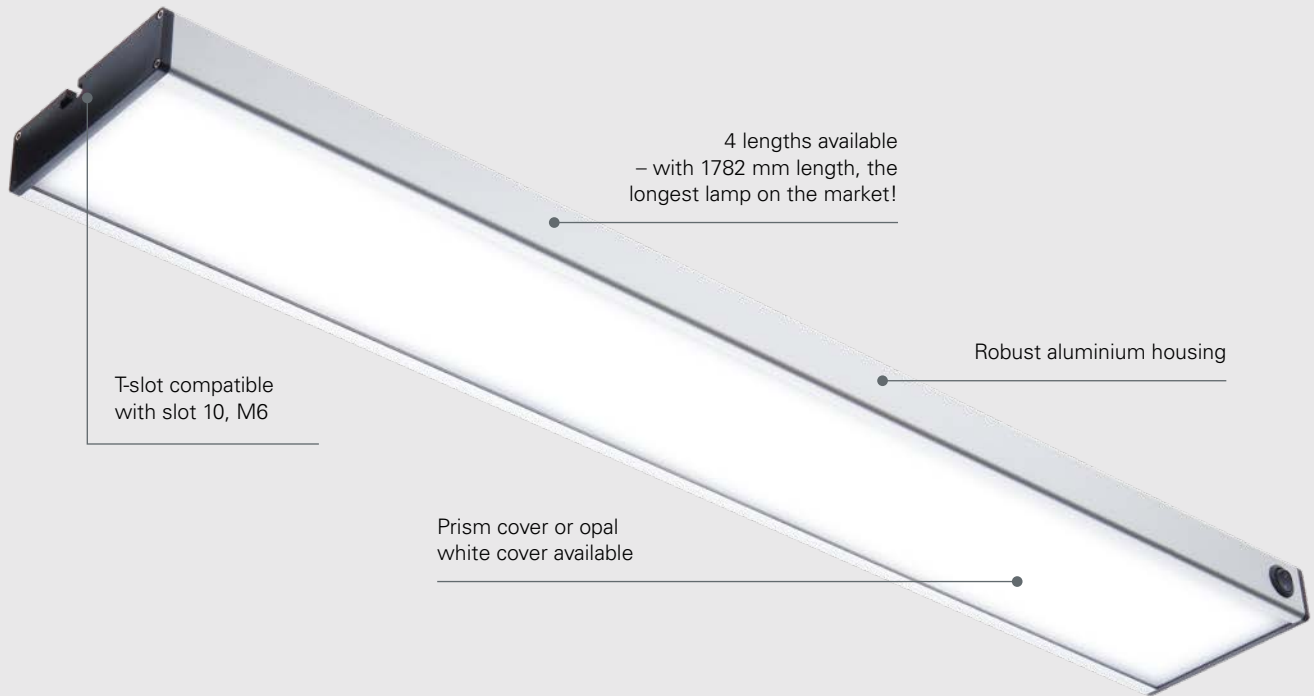
- The SYSTEMLED is the only light on the market with 1782 mm length!
- Light is cascadable = electric interlinkable. Glare-free illumination without reflections on the metal surfaces
- Microprismatic glare suppression: generates drop-shaped light scattering and thus brings more "light power" to the workplace

Areas of application

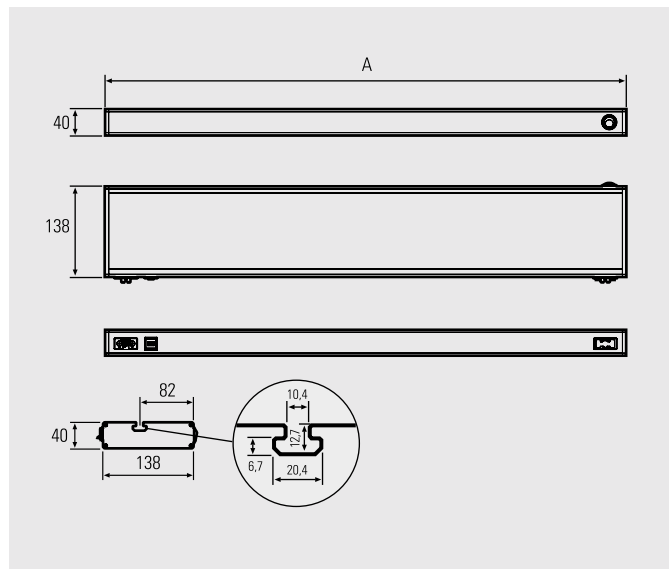
- Permanently installed lighting solution for system workplaces, machines and plants

Designs

- Two different light colours: neutral white and daylight white
- Four different lengths: 472 mm, 898 mm, 1342 mm, 1782 mm
- Standard: T-slot in the housing for mounting via T-slot profiles. Optionally also pivotable with wall or joint angles
- Version Power with 28 W, 52 W, 72 W or 100 W
- Version ECO with 14 W, 28 W, 42 W or 56 W



220V - 240V AC		IP40	≥ 93	neutral white 4000K - 4500K	daylight white ≥ 85	5200K - 5700K	60.000h (L80/B10)	+50 -10			36 months	
-------------------------	--	------	-----------	--------------------------------------	-----------------------------	---------------------	----------------------	------------	--	--	--------------	--



System lights | SYSTEMLED

SYSTEMLED 5200–5700K Power	Product no.	Length (A)	Optics	E _{max} *	Lamp luminous flux	Output	Connection
SYSTEMLED Power, 898 mm, cover opal white	141014-01	898 mm	100°	1602 lx	5356 lm	~52 W	220-240V AC
SYSTEMLED Power, 898 mm, microprism covers	141014-02	898 mm	100°	1925 lx	5356 lm	~52 W	220-240V AC
SYSTEMLED Power, 472 mm, cover opal white	141014-03	472 mm	100°	883 lx	2678 lm	~28 W	220-240V AC
SYSTEMLED Power, 472 mm, microprism covers	141014-04	472 mm	100°	1061 lx	2678 lm	~28 W	220-240V AC
SYSTEMLED Power, 1342 mm, cover opal white	141014-05	1342 mm	100°	2100 lx	8034 lm	~77 W	220-240V AC
SYSTEMLED Power, 1342 mm, microprism covers	141014-06	1342 mm	100°	2513 lx	8034 lm	~77 W	220-240V AC
SYSTEMLED Power, 1782 mm, cover opal white	141014-07	1782 mm	100°	2413 lx	11234 lm	~100 W	220-240V AC
SYSTEMLED Power, 1782mm, microprism covers	141014-08	1782 mm	100°	2891 lx	11234 lm	~100 W	220-240V AC

SYSTEMLED 4000–4500K Power	Product no.	Length (A)	Optics	E _{max} *	Lamp luminous flux	Output	Connection
SYSTEMLED Power, 898 mm, cover opal white	141024-01	898 mm	100°	1245 lx	5356 lm	~52 W	220-240V AC
SYSTEMLED Power, 898 mm, microprism covers	141024-02	898 mm	100°	1526 lx	5356 lm	~52 W	220-240V AC
SYSTEMLED Power, 472 mm, cover opal white	141024-03	472 mm	100°	684 lx	2678 lm	~28 W	220-240V AC
SYSTEMLED Power, 472 mm, microprism covers	141024-04	472 mm	100°	777 lx	2678 lm	~28 W	220-240V AC
SYSTEMLED Power, 1342 mm, cover opal white	141024-05	1342 mm	100°	1642 lx	8034 lm	~77 W	220-240V AC
SYSTEMLED Power, 1342 mm, microprism covers	141024-06	1342 mm	100°	2009 lx	8034 lm	~77 W	220-240V AC
SYSTEMLED Power, 1782 mm, cover opal white	141024-07	1782 mm	100°	1901 lx	11234 lm	~100 W	220-240V AC
SYSTEMLED Power, 1782 mm, microprism covers	141024-08	1782 mm	100°	2308 lx	11234 lm	~100 W	220-240V AC

SYSTEMLED 5200–5700K ECO	Product no.	Length (A)	Optics	E _{max} *	Lamp luminous flux	Output	Connection
SYSTEMLED ECO, 898 mm, cover opal white	141014-21	898 mm	100°	813 lx	3150 lm	~28 W	220-240V AC
SYSTEMLED ECO, 898 mm, microprism covers	141014-22	898 mm	100°	1002 lx	3150 lm	~28 W	220-240V AC
SYSTEMLED ECO, 472 mm, cover opal white	141014-23	472 mm	100°	448 lx	1575 lm	~14 W	220-240V AC
SYSTEMLED ECO, 472 mm, microprism covers	141014-24	472 mm	100°	551 lx	1575 lm	~14 W	220-240V AC
SYSTEMLED ECO, 1342 mm, cover opal white	141014-25	1342 mm	100°	1068 lx	4725 lm	~42 W	220-240V AC
SYSTEMLED ECO, 1342 mm, microprism covers	141014-26	1342 mm	100°	1263 lx	4725 lm	~42 W	220-240V AC
SYSTEMLED ECO, 1782 mm, cover opal white	141014-27	1782 mm	100°	1229 lx	6150 lm	~52 W	220-240V AC
SYSTEMLED ECO, 1782 mm, microprism covers	141014-28	1782 mm	100°	1490 lx	6150 lm	~52 W	220-240V AC

SYSTEMLED 4000–4500K ECO	Product no.	Length (A)	Optics	E _{max} *	Lamp luminous flux	Output	Connection
SYSTEMLED ECO, 898 mm, cover opal white	141024-21	898 mm	100°	642 lx	3150 lm	~28 W	220-240V AC
SYSTEMLED ECO, 898 mm, microprism covers	141024-22	898 mm	100°	773 lx	3150 lm	~28 W	220-240V AC
SYSTEMLED ECO, 472 mm, cover opal white	141024-23	472 mm	100°	353 lx	1575 lm	~14 W	220-240V AC
SYSTEMLED ECO, 472 mm, microprism covers	141024-24	472 mm	100°	425 lx	1575 lm	~14 W	220-240V AC
SYSTEMLED ECO, 1342 mm, cover opal white	141024-25	1342 mm	100°	848 lx	4725 lm	~42 W	220-240V AC
SYSTEMLED ECO, 1342 mm, microprism covers	141024-26	1342 mm	100°	1014 lx	4725 lm	~42 W	220-240V AC

* maximum lighting intensities, measurement area 100 cm x 100 cm at 100 cm distance

Accessories	Product no.
Wieland GST18 cable socket / right-angle plug, 5 m	240100-01
Wieland GST18 cable socket / right-angle plug, 3 m	240100-02
Wieland GST18 cable socket / open end, 5 m	240200-01
Wieland extension cord GST18, 1 m	240300-01
Wieland extension cord GST18, 2 m	240300-02
Wieland extension cord GST18, 5 m	240300-03
Mounting kit for SYSTEMLED, flat, with ESD insulation ⚠	240400-01
Mounting kit for SYSTEMLED, pivotable, with ESD insulation ⚠	240400-02
Mounting kit for SYSTEMLED / PROFILED, 1 pair of slot nuts with cylinder head screws	240400-03
Mounting kit for SYSTEMLED/PROFILED, flat	240400-04
Befestigungszubehör Seilabhängung für Leuchten mit T-Nut Profil: 2x Drahtseil, vernickelt, 3 m, Ø1,5 mm, einseitig mit Zylindernippel (bauseits kürzbar), 2x Deckenbefestigungs-Set, 2x Gripper (Drahtseilhalter) mit Rändelung und M6 Außengewinde, 8 mm lang (setzt 1 Paar Nutzensteine mit M6 Innengewinde voraus)	213300-02
SYSTEMLED DIMMmodule, external for operating a light, incl. 3 m connecting cable	240500-01
SYSTEMLED DIMMmodule, external for operating a light, incl. 5 m connecting cable	240500-03
SYSTEMLED DIMMmodule, external for central operation of a max. of 6 lights (connecting cables 240600-0X are required for each light)	240500-02
SYSTEMLED DIMMmodule connecting cable length 1 m, 2-pole	240600-01
SYSTEMLED DIMMmodule connecting cable length 2 m, 2-pole	240600-02
SYSTEMLED DIMMmodule connecting cable length 3 m, 2-pole	240600-03
SYSTEMLED DIMMmodule connecting cable length 4 m, 2-pole	240600-04
SYSTEMLED DIMMmodule connecting cable length 5 m, 2-pole	240600-05

You can interlink several SYSTEMLED lights electrically (cascadable). 230V AC mains voltage is applied to the first light and Wieland extension cables are used to connect further lights to each other via the inputs and outputs in the luminaire housing. The total current of the interlinked lights must not exceed the fuse rating of the 230V AC connection on the operating side.

